

ANT-2.4-PW-QW

Data Sheet

Product Description

Designed for permanent attachment, PW Series ½ wave whips give outstanding performance in a rugged and cost-effective package. The antenna is attached by placing its base through a ¼" (6.35 mm) hole in the product and securing it with a nut or by threading it into a PEM-style insert. The antenna is fed through the base with 8.5" (216 mm) of coax cable. Straight-cut RG-174 allows the addition of any 50-ohm RF connector or allows the cable to be soldered directly to the PCB, saving the cost of the connector. It is also available with 1.32 mm coax cable terminated with a U.FL / MHF compatible connector. This saves the labor of adding a connector while using one that is small enough to fit through the antenna's mounting hole. Custom lengths and terminations are available by special order.

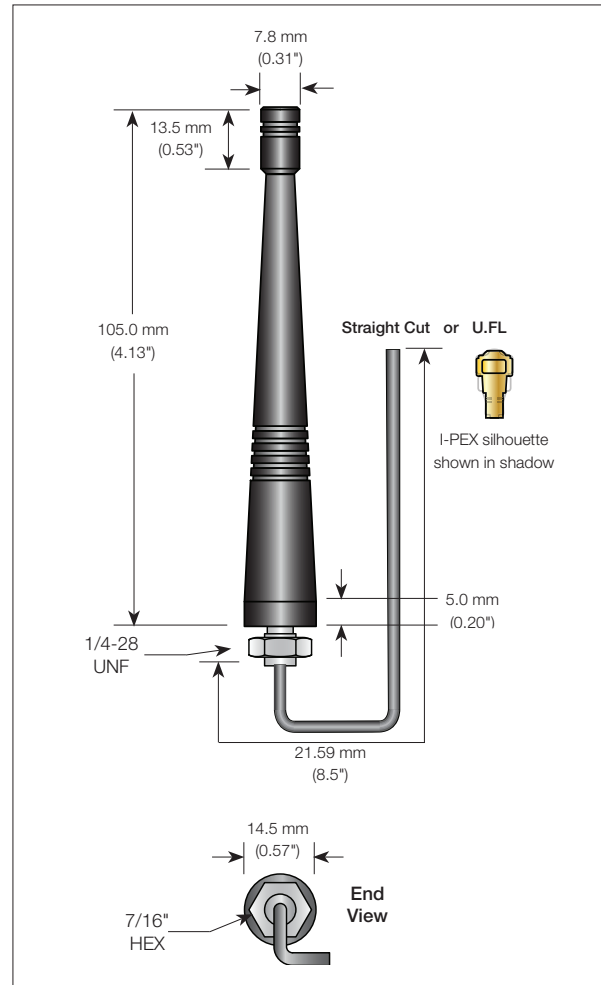
Features

- Low cost
- Outstanding performance
- Omni-directional pattern
- Wide bandwidth
- Flexible main shaft
- Rugged & weatherized
- Integral 8.5" (21.59 cm) RG-174 coax cable or 1.32 mm coax (U.FL)
- Use with plastic or metal enclosures

Electrical Specifications

Center Frequency:	2.45GHz
Bandwidth:	2.35–2.60GHz
Wavelength:	½-wave
VSWR:	≤ 1.9 typical at center
Peak Gain:	1.6dBi
Impedance:	50-ohms
Connection:	Straight-cut or U.FL/MHF
Cable:	8.5" (21.59 cm) RG-174 coax cable or 1.32 mm coax (U.FL)
Oper. Temp. Range:	–40°C to +90°C

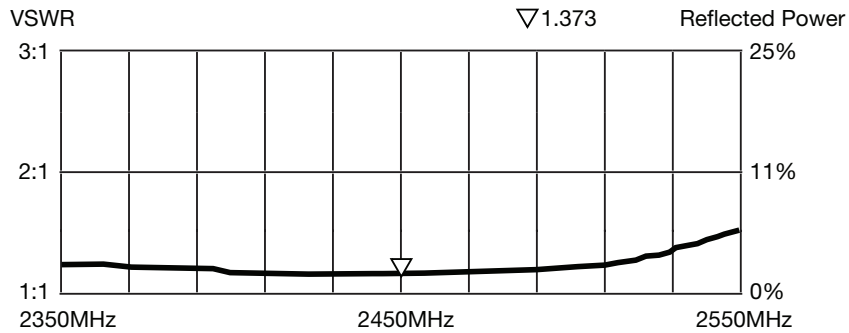
Electrical specifications and plots measured on 10.16 cm x 10.16 cm (4.00" x 4.00") reference ground plane



Ordering Information

ANT-2.4-PW-QW (with straight cut RG-174 coax)
ANT-2.4-PW-QW-UFL (U.FL/MHF compatible connector)

VSWR Graph



What is VSWR?

The Voltage Standing Wave Ratio (VSWR) is a measurement of how well an antenna is matched to a source impedance, typically 50-ohms. It is calculated by measuring the voltage wave that is headed toward the load versus the voltage wave that is reflected back from the load. A perfect match will have a VSWR of 1:1. The higher the first number, the worse the match, and the more inefficient the system. Since a perfect match cannot ever be obtained, some benchmark for performance needs to be set. In the case of antenna VSWR, this is usually 2:1. At this point, 88.9% of the energy sent to the antenna by the transmitter is radiated into free space and 11.1% is either reflected back into the source or lost as heat on the structure of the antenna. In the other direction, 88.9% of the energy recovered by the antenna is transferred into the receiver. As a side note, since the “:1” is always implied, many data sheets will remove it and just display the first number.

How to Read a VSWR Graph

VSWR is usually displayed graphically versus frequency. The lowest point on the graph is the antenna’s operational center frequency. In most cases, this will be different than the designed center frequency due to fabrication tolerances. The VSWR at that point denotes how close to 50-ohms the antenna gets. Linx specifies the recommended bandwidth as the range where the typical antenna VSWR is less than 2:1.